




## PRODUCTS

- Products Home
- Size Table
- Accessories
- Customization
- + A-Series
- + C-Series
- + CA-Series
- + CH-Series
- + G-Series
- + H-Series
- + M-Series
- + R-Series
- + RX-Series
- + S-Series
- + SL-Series

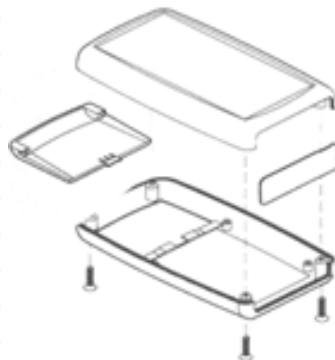
## Products: H-Series

### H-67 (AC)



MODEL	LENGTH	WIDTH	HEIGHT	DRAWINGS	
				(.pdf)	(.dwg)
 H-67, AC	4.940"	2.750"	1.275"		

## FEATURES



- Three piece design with ergonomic handheld shape
- Replaceable end panels (see accessories below)
- Access compartment
- Circuit board mounting bosses (adjustable height, see in-mold customization)
- Assembly with four screws
- Customization available
  - five insert areas/I-Plates (top and bottom, internal top and bottom, and face place )
  - machining

-pad printing

## COLORS



Black



Almond



Gray

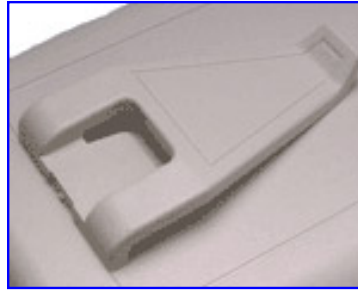
Custom Colors Also Available

[RETURN TO TOP](#)

## ACCESSORIES (Click an accessory for compatible models and part numbers)



**Infrared, Clear and  
Transparent End Panels**  
[RETURN TO TOP](#)



**Pocket Clip**

[Home](#) | [About SERPAC](#) | [Products](#) | [Accessories](#) | [Customizations](#) | [Distributors](#) | [Buy Now!](#) | [Contact Us](#)

PRODUCTS: [A-Series](#) | [C-Series](#) | [CA-Series](#) | [CH-Series](#) | [G-Series](#) | [H-Series](#) | [M-Series](#) | [R-Series](#) | [S-Series](#) | [SL-Series](#)

© 2004, SERPAC Electronic Enclosures. All Rights Reserved